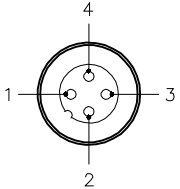

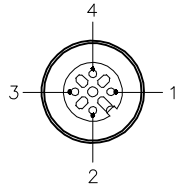
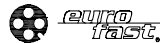
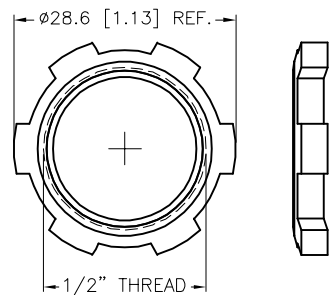
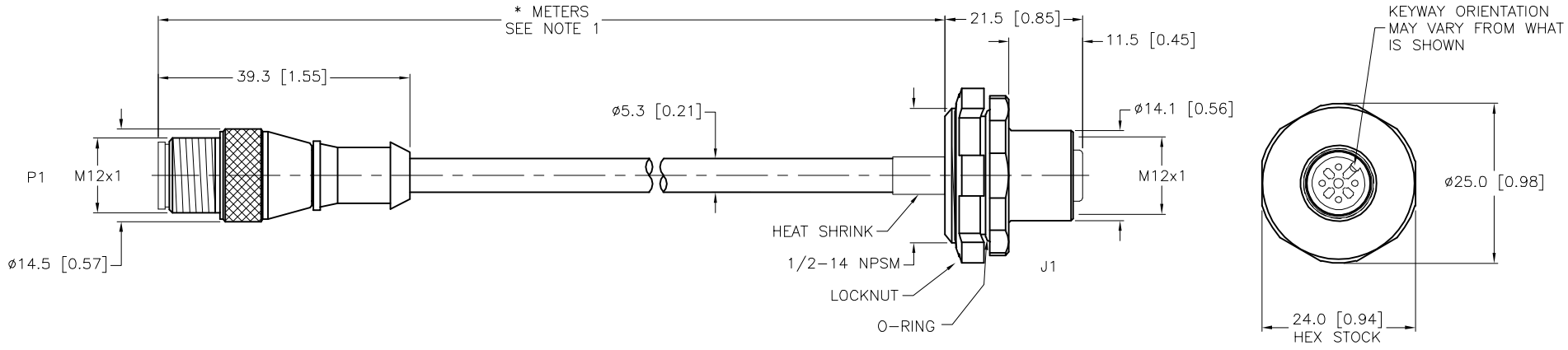


MALE END VIEW	FEMALE END VIEW	LOCKNUT	SPECIFICATIONS																											
 <p>1 = BROWN 2 = WHITE 3 = BLUE 4 = BLACK</p> 	 <p>1 = BROWN 2 = WHITE 3 = BLUE 4 = BLACK</p> 	 <p>∅28.6 [1.13] REF. 1/2" THREAD</p>	<table border="1"> <tr><td>CONTACT CARRIER MATERIAL</td><td>NYLON or TPU</td></tr> <tr><td>MOLDED HEAD MATERIAL/COLOR</td><td>TPU/YELLOW</td></tr> <tr><td>CONTACT MATERIAL/PLATING</td><td>BRASS/GOLD</td></tr> <tr><td>COUPLING NUT MATERIAL/PLATING (P1)</td><td>BRASS/NICKEL</td></tr> <tr><td>HOUSING MATERIAL/PLATING (J1)</td><td>BRASS/NICKEL</td></tr> <tr><td>O-RING MATERIAL (J1)</td><td>NITRILE</td></tr> <tr><td>RATED CURRENT [A]</td><td>4.0 A</td></tr> <tr><td>RATED VOLTAGE [V]</td><td>250 V</td></tr> <tr><td>OUTER JACKET MATERIAL/COLOR</td><td>PVC/GRAY</td></tr> <tr><td>CONDUCTOR INSULATION MATERIAL</td><td>PVC</td></tr> <tr><td>NUMBER OF CONDUCTORS [AWG]</td><td>4x22 AWG</td></tr> <tr><td>TEMPERATURE RANGE</td><td>-40°C to +105°C (-40°F to +224°F)</td></tr> <tr><td>PROTECTION CLASS</td><td>NEMA 1,3,4,6P AND IEC IP68</td></tr> </table>	CONTACT CARRIER MATERIAL	NYLON or TPU	MOLDED HEAD MATERIAL/COLOR	TPU/YELLOW	CONTACT MATERIAL/PLATING	BRASS/GOLD	COUPLING NUT MATERIAL/PLATING (P1)	BRASS/NICKEL	HOUSING MATERIAL/PLATING (J1)	BRASS/NICKEL	O-RING MATERIAL (J1)	NITRILE	RATED CURRENT [A]	4.0 A	RATED VOLTAGE [V]	250 V	OUTER JACKET MATERIAL/COLOR	PVC/GRAY	CONDUCTOR INSULATION MATERIAL	PVC	NUMBER OF CONDUCTORS [AWG]	4x22 AWG	TEMPERATURE RANGE	-40°C to +105°C (-40°F to +224°F)	PROTECTION CLASS	NEMA 1,3,4,6P AND IEC IP68	
CONTACT CARRIER MATERIAL	NYLON or TPU																													
MOLDED HEAD MATERIAL/COLOR	TPU/YELLOW																													
CONTACT MATERIAL/PLATING	BRASS/GOLD																													
COUPLING NUT MATERIAL/PLATING (P1)	BRASS/NICKEL																													
HOUSING MATERIAL/PLATING (J1)	BRASS/NICKEL																													
O-RING MATERIAL (J1)	NITRILE																													
RATED CURRENT [A]	4.0 A																													
RATED VOLTAGE [V]	250 V																													
OUTER JACKET MATERIAL/COLOR	PVC/GRAY																													
CONDUCTOR INSULATION MATERIAL	PVC																													
NUMBER OF CONDUCTORS [AWG]	4x22 AWG																													
TEMPERATURE RANGE	-40°C to +105°C (-40°F to +224°F)																													
PROTECTION CLASS	NEMA 1,3,4,6P AND IEC IP68																													

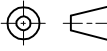


CABLE LENGTH	TOLERANCE*
ALL LENGTHS	+ 4% (OR 50mm) OF LENGTH - 0% (OR 0mm) OF LENGTH WHICHEVER IS GREATER
STRIP LENGTH	TOLERANCE*
0-7mm	±0.5mm
8-29mm	±1.0mm
30-49mm	±2.0mm
50-69mm	±3.0mm
70-100mm	±4.0mm
OVER 100mm	±5.0mm

* UNLESS OTHERWISE SPECIFIED

NOTES:
1. "*" INDICATES CABLE LENGTH IN METERS. CONTACT TURCK TO ORDER SPECIFIC LENGTHS.

SOURCE DRAWING - FOR REFERENCE ONLY

RELATED DOCUMENTS 1. 2. 3. 4.	3RD ANGLE PROJECTION 	THIS DRAWING IS CONFIDENTIAL AND THE PROPERTY OF TURCK INC. USE OF THIS DOCUMENT WITHOUT WRITTEN PERMISSION IS PROHIBITED.	3000 CAMPUS DRIVE MINNEAPOLIS, MN 55441 1-800-544-7769 (763) 553-7300 (763) 553-0708 fax www.turck.us
MATERIAL SEE SPECIFICATIONS	ALL DIMENSIONS DISPLAYED ON THIS DRAWING ARE FOR REFERENCE ONLY	DRFT *CK DATE 10/12/10 APVD SCALE 1=1.0	DESCRIPTION RS 4.4T-*--FK 4.4/14.5
FINISH SEE SPECIFICATIONS	CONTACT TURCK FOR MORE INFORMATION	UNIT OF MEASUREMENT MILLIMETER [INCH] DO NOT SCALE THIS DRAWING	IDENTIFICATION NO. FILE: 777026836 REV D SHEET 1 OF 1

D	UPDATE CABLE DIAMETER	KMY	04/09/12	37143
REV	DESCRIPTION	BY	DATE	ECO NO.